

MONTACARGAS ELÉCTRICO

1.5 - 5 TON



STANDARD CONFIGURATION

- CURTIS controller
- AC Drive system
- Adjustable steering wheel
- Automatic temperature control system
- Ramps Auxilliary Brake System
- Safety shut-off valve
- LED warning lamp
- LED headlamp
- High capacity battery
- Intelligent charger



OPTIONS

- Suspension seat
- Side take battery
- Operator presence system
- Side shifter
- Paper roll clamp and other attachments
- Cold storage use
- Explosion-proof use

MONTACARGAS ELÉCTRICO 1.5 - 5 TON

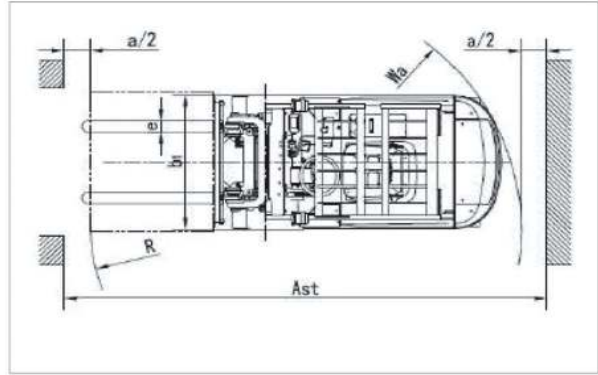
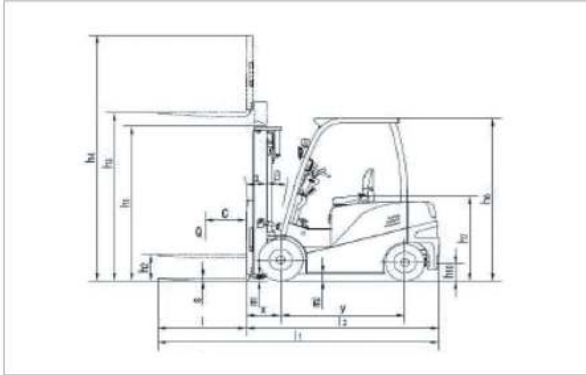
Standard						
1.1	Brand		Empremaq	Empremaq	Empremaq	Empremaq
1.2	Model		FE15	FE20	FE25	FE30
1.3	Power Type		蓄电池Battery	蓄电池Battery	蓄电池Battery	蓄电池Battery
1.4	Operation Type		坐驾式Seated	坐驾式Seated	坐驾式Seated	坐驾式Seated
1.5	Rated Capacity	Q (kg)	1500	2000	2500	3000
1.6	Load Center	C (mm)	500	500	500	500
1.7	Front Overhang	x (mm)	380	420	425	433
1.8	Wheelbase	y (mm)	1380	1505	1505	1700
Weight						
2.1	Service weight (incl battery)	kg	2900	3380	3820	4370
Wheel						
3.1	Wheel type		充气胎Pneumatic tyre	充气胎Pneumatic tyre	充气胎Pneumatic tyre	充气胎Pneumatic tyre
3.2	Loading wheel	mm	5.00-8	18 ×7-8	18 ×7-8	18 ×7-8
3.3	Driving wheel	mm	6.00-9	21 ×8-9	21 ×8-9	23 ×9-10
3.4	Tyres, front/rear		2x/2	2x/2	2x/2	2x/2
3.5	Tread, drive	b10 (mm)	910	950	950	970
3.6	Tread, load	b11 (mm)	930	960	960	960
Dimension						
4.1	Mast tilting	$\alpha/\beta(^{\circ})$	6/10	6/10	6/10	6/10
4.2	Height of mast closed	h1 (mm)	1995	1995	1995	2110
4.3	Full free lifting height	h2 (mm)	135	140	145	145
4.4	Lifting height	h3 (mm)	3000	3000	3000	3000
4.5	Height of mast open	h4 (mm)	4030	4030	4030	4256
4.6	Overhead guard height	h6 (mm)	2100	2100	2100	2130
4.7	Seat height	h7 (mm)	1090	1090	1090	1120
4.8	Overall length with forks	L1 (mm)	3205	3410	3410	3620
4.9	Overall length (without forks)	L2 (mm)	2135	2340	2340	2550
4.10	Overall width	b1 (mm)	1110	1160	1160	1200
4.11	Forks size	L/e/s (mm)	1070 /100 /35	1070 /100 /40	1070 /100 /45	1070 /125 /45
4.12	Installation class		2A	2A	2A	3A
4.13	Width of fork backrest	b3 (mm)	1040	1040	1040	1100
4.14	Fork spread	b5 (mm)	222 ~1000	222 ~1000	222 ~1000	250 ~1050
4.15	Mast clearance	m1 (mm)	85	85	85	90
4.16	Ground clearance	m2 (mm)	100	100	100	100
4.17	AST (pallet 1000 *1200 mm)	As1 (mm)	3580	3720	3720	3920
4.18	Turning radius	ra (mm)	2000	2100	2100	2300
Function						
5.1	Driving speed (load/unload)	km /h	10/12	10/12	10/12	10/12
5.2	Lifting speed (load/unload)	mm /s	300 /480	230 /400	230 /410	200 /340
5.3	Lowering speed (load/unload)	mm /s	380 /360	420 /480	360 /480	300 /460
5.4	Traction	(S2-5min)	/	/	/	/
5.5	Max . climbing ability	% (tan θ)	14/15	14/15	14/15	14 /15
5.6	Brake type		液压式Hydraulic	液压式Hydraulic	液压式Hydraulic	液压式Hydraulic
Driving						
6.1	Driving motor	kw	AC 6.8	AC 6.8	AC 6.8	AC 9.1
6.2	Lifting motor	kw	DC 8.2	DC 8.6	DC 8.6	DC 10
6.3	Battery	V /Ah	48 /400	48 /490	48 /560	48 /630
6.4	Battery weight	kg	645	750	870	980
6.5	Steering system		液压式Hydraulic	液压式Hydraulic	液压式Hydraulic	液压式Hydraulic

MONTACARGAS ELÉCTRICO 1.5 - 5 TON

Standard						
1.1	Brand		Empremaq	Empremaq	Empremaq	Empremaq
1.2	Model		FE35	FE40	FE45	FE50
1.3	Power Type		蓄电池Battery	蓄电池Battery	蓄电池Battery	蓄电池Battery
1.4	Operation Type		半驾式Seated	半驾式Seated	半驾式Seated	半驾式Seated
1.5	Rated Capacity	Q (kg)	3500	4000	4500	4999
1.6	Load Center	C (mm)	500	500	500	500
1.7	Front Overhang	x (mm)	468	468	530	530
1.8	Wheelbase	y (mm)	1800	1800	2000	2000
Weight						
2.1	Service weight (incl battery)	kg	5170	5300	6950	7250
Wheel						
3.1	Wheel type		实心橡胶胎Solid rubber tire	实心橡胶胎Solid rubber tire	实心橡胶胎Solid rubber tire	实心橡胶胎Solid rubber tire
3.2	Loading wheel	mm	18 X7-8	18 X7-8	21 X8-9	21 X8-9
3.3	Driving wheel	mm	23 X10-12	23 X10-12	250 -15	250 -15
3.4	Tyres, front/rear		2x/2	2x/2	2x/2	2x/2
3.5	Tread, drive	b10 (mm)	1080	1080	1206	1206
3.6	Tread, load	b11 (mm)	990	990	1010	1010
Dimension						
4.1	Mast tilting	$\alpha/\beta(^{\circ})$	6/10	6/10	6/11	6/11
4.2	Height of mast closed	h1 (mm)	2100	2100	2180	2180
4.3	Full free lift height	h2 (mm)	150	150	150	150
4.4	Lift height	h3 (mm)	3000	3000	3000	3000
4.5	Height of mast open	h4 (mm)	4130	4130	4100	4100
4.6	Overhead guard height	h6 (mm)	2130	2130	2250	2250
4.7	Seat height	h7 (mm)	1140	1140	1230	1230
4.8	Overall length with forks	L1 (mm)	3770	3770	4030	4030
4.9	Overall length (without forks)	L2 (mm)	2700	2700	2960	2960
4.10	Overall width	b1 (mm)	1330	1330	1430 /1350	1430 /1350
4.11	Forks size	l/e/s (mm)	1070 /125 /50	1070 /125 /50	1070 /150 /50	1070 /150 /50
4.12	Installation class		3A	3A	3A	3A
4.13	Width of fork backrest	b3 (mm)	1100	1100	2250	2250
4.14	Fork spread	b5 (mm)	250 ~1050	250 ~1050	320 ~1320	320 ~1320
4.15	Mast clearance	m1 (mm)	80	80	120	120
4.16	Ground clearance	m2 (mm)	120	120	120	120
4.17	AST (pallet 1000 *1200 mm)	As1 (mm)	4190	4190	4490	4490
4.18	Turning radius	Wn (mm)	2450	2450	2670	2670
Function						
5.1	Driving speed (load/unload)	km /h	10 /12	10 /12	13 /13.5	13 /13.5
5.2	Lifting speed (load/unload)	mm /s	250 /	220 /	210 /350	210 /350
5.3	Lowering speed (load/unload)	mm /s	/	/	/	/
5.4	Traction	(S2-5min)	/	/	27000	27000
5.5	Max. climbing ability	% (tan θ)	10 /12	10 /12	10 /12	10 /12
5.6	Brake type		液压式Hydraulic	液压式Hydraulic	机械液压式Hydraulic	机械液压式Hydraulic
Driving						
6.1	Driving motor	kw	AC 11.75	AC 11.75	AC 16.6	AC 16.6
6.2	Lifting motor	kw	DC 13	DC 13	AC 15	AC 15
6.3	Battery	V/Ah	80 /400	80 /450	80 /560	80 /630
6.4	Battery weight	kg	1070	1195	1390	1690
6.5	Steering system		液压式Hydraulic	液压式Hydraulic	液压式Hydraulic	液压式Hydraulic

MONTACARGAS ELÉCTRICO 1.5 - 5 TON

PRODUCT SIZE

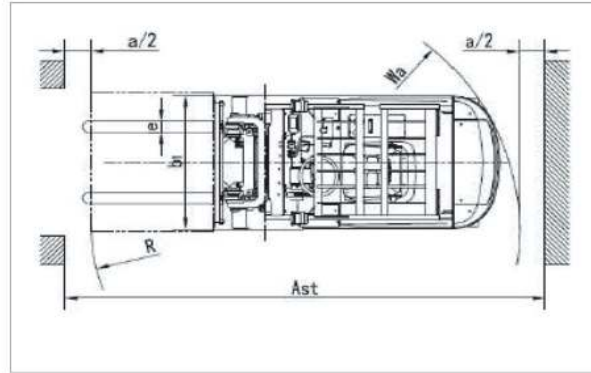
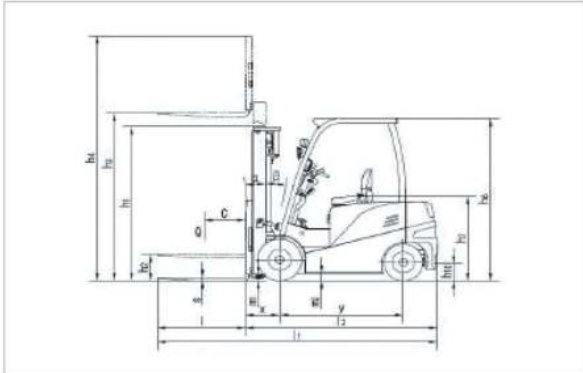


MAST DATASHEET

The mast Specification						
Duplex Mast		FE15				
Model	MK	15-25	15-30	15-35	15-40	15-45
Liftheight	h3 (mm)	2500	3000	3500	4000	4500
Height -Mast Extended w/Load -Backrest	h4 (mm)	3530	4030	4530	5030	5530
Height -Mast Lowered	h1 (mm)	1745	1995	2245	2545	2795
Height -Free Lift	h2 (mm)	135	135	135	135	135
Duplex fullfree Mast		FE15				
Model	MK	15 Q -25	15 Q -30	15 Q -35	15 Q -40	15 Q -45
Liftheight	h3 (mm)	2500	3000	3500	4000	4500
Height -Mast Extended w/Load -Backrest	h4 (mm)	3540	4040	4540	5040	5540
Height -Mast Lowered	h1 (mm)	1745	1995	2245	2545	2795
Height -Free Lift	h2 (mm)	702	952	1202	1502	1752
Triplex fullfree Mast		FE15				
Model	MK	15 SQ -40	15 SQ -45	15 SQ -50	15 SQ -55	15 SQ -60
Liftheight	h3 (mm)	4000	4500	5000	5500	6000
Height -Mast Extended w/Load -Backrest	h4 (mm)	5030	5530	6030	6530	7030
Height -Mast Lowered	h1 (mm)	1928	2095	2262	2428	2595
Height -Free Lift	h2 (mm)	885	1052	1219	1385	1552
The mast Specification						
Duplex Mast		FE20				
Model	MK	20-25	20-30	20-35	20-40	20-45
Liftheight	h3 (mm)	2500	3000	3500	4000	4500
Height -Mast Extended w/Load -Backrest	h4 (mm)	3530	4030	4530	5030	5530
Height -Mast Lowered	h1 (mm)	1745	1995	2245	2545	2795
Height -Free Lift	h2 (mm)	140	140	140	140	140
Duplex fullfree Mast		FE20				
Model	MK	20 Q -25	20 Q -30	20 Q -35	20 Q -40	20 Q -45
Liftheight	h3 (mm)	2500	3000	3500	4000	4500
Height -Mast Extended w/Load -Backrest	h4 (mm)	3580	4080	4580	5080	5580
Height -Mast Lowered	h1 (mm)	1745	1995	2245	2545	2795
Height -Free Lift	h2 (mm)	702	952	1202	1502	1752
Triplex fullfree Mast		FE20				
Model	MK	20 SQ -40	20 SQ -45	20 SQ -50	20 SQ -55	20 SQ -60
Liftheight	h3 (mm)	4000	4500	5000	5500	6000
Height -Mast Extended w/Load -Backrest	h4 (mm)	5035	5535	6035	6535	7035
Height -Mast Lowered	h1 (mm)	1930	2095	2260	2425	2645
Height -Free Lift	h2 (mm)	887	1052	1217	1382	1602

MONTACARGAS ELÉCTRICO 1.5 - 5 TON

PRODUCT SIZE



MAST DATASHEET

The mast Specification						
Duplex Mast		FE15				
Model	MK	15-25	15-30	15-35	15-40	15-45
Liftheight	h3 (mm)	2500	3000	3500	4000	4500
Height -Mast Extended w/ Load -Backrest	h4 (mm)	3530	4030	4530	5030	5530
Height -Mast Lowered	h1 (mm)	1745	1995	2245	2545	2795
Height -Free Lift	h2 (mm)	135	135	135	135	135
Duplex fullfree Mast		FE15				
Model	MK	15 Q -25	15 Q -30	15 Q -35	15 Q -40	15 Q -45
Liftheight	h3 (mm)	2500	3000	3500	4000	4500
Height -Mast Extended w/ Load -Backrest	h4 (mm)	3540	4040	4540	5040	5540
Height -Mast Lowered	h1 (mm)	1745	1995	2245	2545	2795
Height -Free Lift	h2 (mm)	702	952	1202	1502	1752
Triplex fullfree Mast		FE15				
Model	MK	15 SQ -40	15 SQ -45	15 SQ -50	15 SQ -55	15 SQ -60
Liftheight	h3 (mm)	4000	4500	5000	5500	6000
Height -Mast Extended w/ Load -Backrest	h4 (mm)	5030	5530	6030	6530	7030
Height -Mast Lowered	h1 (mm)	1928	2095	2262	2428	2595
Height -Free Lift	h2 (mm)	885	1052	1219	1385	1552
The mast Specification						
Duplex Mast		FE20				
Model	MK	20-25	20-30	20-35	20-40	20-45
Liftheight	h3 (mm)	2500	3000	3500	4000	4500
Height -Mast Extended w/ Load -Backrest	h4 (mm)	3530	4030	4530	5030	5530
Height -Mast Lowered	h1 (mm)	1745	1995	2245	2545	2795
Height -Free Lift	h2 (mm)	140	140	140	140	140
Duplex fullfree Mast		FE20				
Model	MK	20 Q -25	20 Q -30	20 Q -35	20 Q -40	20 Q -45
Liftheight	h3 (mm)	2500	3000	3500	4000	4500
Height -Mast Extended w/ Load -Backrest	h4 (mm)	3580	4080	4580	5080	5580
Height -Mast Lowered	h1 (mm)	1745	1995	2245	2545	2795
Height -Free Lift	h2 (mm)	702	952	1202	1502	1752
Triplex fullfree Mast		FE20				
Model	MK	20 SQ -40	20 SQ -45	20 SQ -50	20 SQ -55	20 SQ -60
Liftheight	h3 (mm)	4000	4500	5000	5500	6000
Height -Mast Extended w/ Load -Backrest	h4 (mm)	5035	5535	6035	6535	7035
Height -Mast Lowered	h1 (mm)	1930	2095	2260	2425	2645
Height -Free Lift	h2 (mm)	887	1052	1217	1382	1602